



Connecting Possibilities™

www.flexmove.com

Connecting Possibilities™

**FlexMove System (M) Sdn Bhd**

645387-A

128, Jalan Permatang Damar Laut,  
Bayan Lepas, 11960 Penang, Malaysia

T +604 626 2948  
F +604 626 2871  
E sales@flexmove.com

**FlexMove Americas, LLC**

255 Schoolhouse Road,  
Souderton, PA 18964, USA

T 267-203-8351  
F 215-721-0633  
E sales@flexmove.com

Scan to visit



Connecting Possibilities™

# KleanZ

Hygiene Stainless  
Steel Conveyor

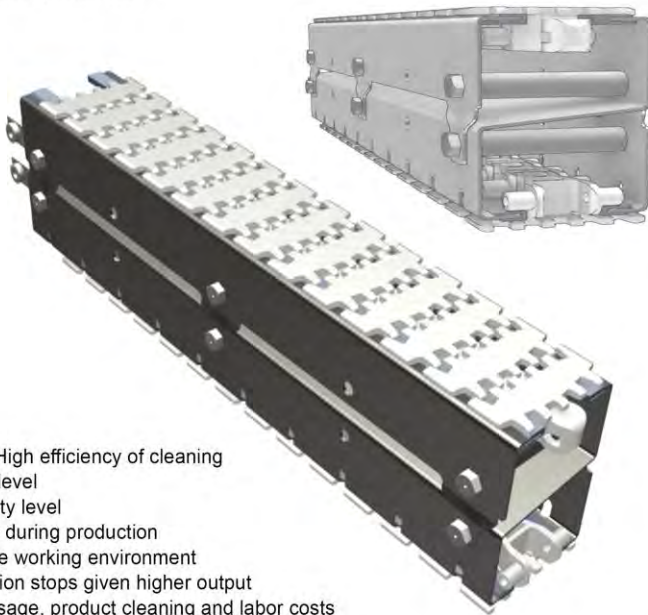
# SMZ Series



## Conveyor Overview

KleanZ, a patented hygiene Z-design stainless steel conveyor structure which is a surprisingly simple solution to resolve a common cleaning problem faced in food industry. Cleaning of conveyor make simple with KleanZ design and with high efficiency and cleanliness.

With KleanZ solution, customer can achieves high level of hygienic and safety of food products at the lowest possible cost.



- Simple, Fast, High efficiency of cleaning
- High hygienic level
- High food safety level
- Cleaning done during production
- Clean and Safe working environment
- Fewer production stops given higher output
- Lower water usage, product cleaning and labor costs

**KleanZ construction is made to fit other stainless steel products from FlexMove.**

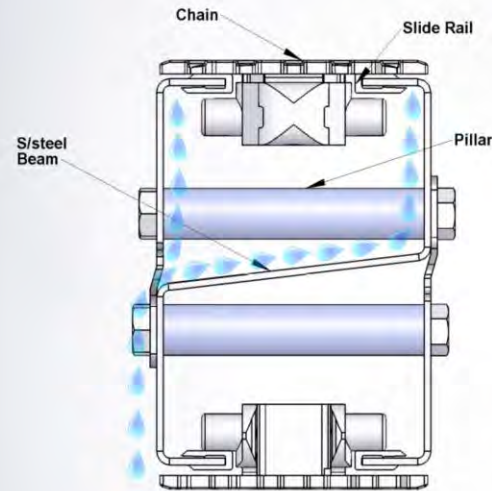
That ensures that all vital modules are tested and well proved in production.



# Feature



## Conveyor Beam > SMZCB



### SMZ Series Characteristic

Beam Width :  
85mm

Product Width :  
Refer to Guide Rail Assembly

### SMZ Series Accessories Needed

Slide Rail Required:  
FASR-25, FASR-25U, FASR-25X

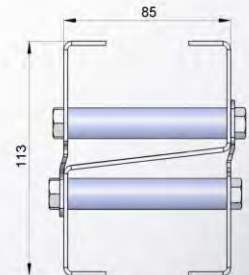
Slide Rail Colour:  
WHITE OR NATURAL COLOUR

Slide Rail Material:  
HDPE OR UHMW

Slide Rail Rivet:  
FASLS-M5

Connecting Strip:  
SACS-50x76C

**Connecting strip is used to connect 2 beams.**



**Patented Design**



FlexMove reserves the right to make alteration without prior notification Every care has been taken to ensure the accuracy of the information contained in this catalogue but no liability can be accepted for any error or omissions.